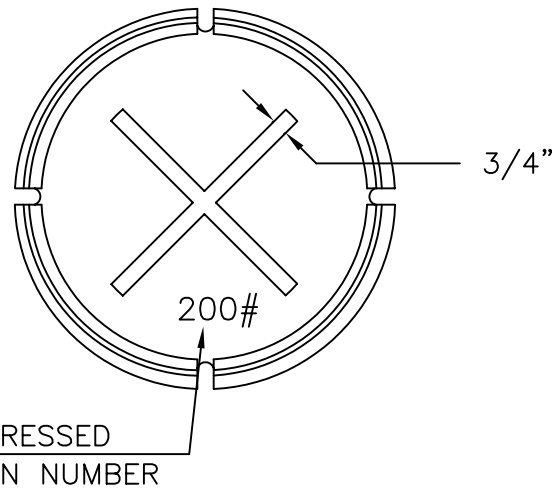
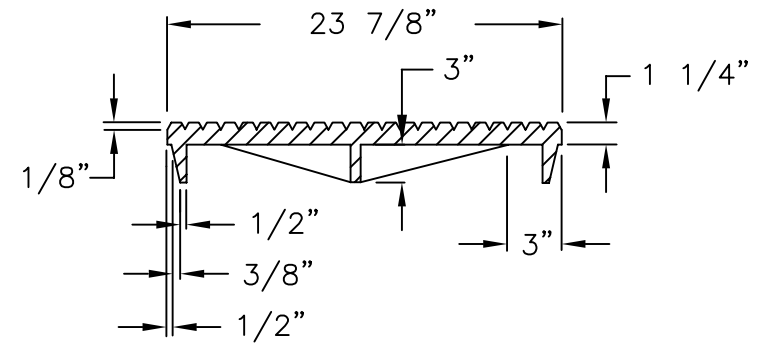


TOP VIEW



BOTTOM VIEW



PROFILE VIEW

NOTES:

1. THIS COVER IS NOT TO BE USED FOR SANITARY SEWER MANHOLES.
2. THIS COVER MAY BE USED WITH FRAME TYPE I, II OR III AS DETAILED IN FDOT INDEX No. 201. THE ACTUAL FRAME TO BE USED SHALL BE AS SPECIFIED IN THE PLANS.
3. MATERIALS AND FABRICATION SHALL CONFORM TO SECTION 425 OF THE FLORIDA DEPARTMENT OF TRANSPORTATION STANDARD SPECIFICATIONS FOR ROAD AND BRIDGE CONSTRUCTION.
4. COVERS FOR UNDERDRAIN CLEANOUTS SHALL BE LABELED UNDERDRAIN AND NOT STORM SEWER.
5. COVERS SHALL BE U.S.F. TYPE X OR EQUAL. (200 LBS. MINIMUM)

DEPARTMENT OF PUBLIC WORKS PINELLAS COUNTY, FLORIDA			
STORM SEWER COVER			
APPROVED BY:	DATE	SHEET	INDEX
_____ DIRECTOR OF PUBLIC WORKS	11/02	1 of 1	1250