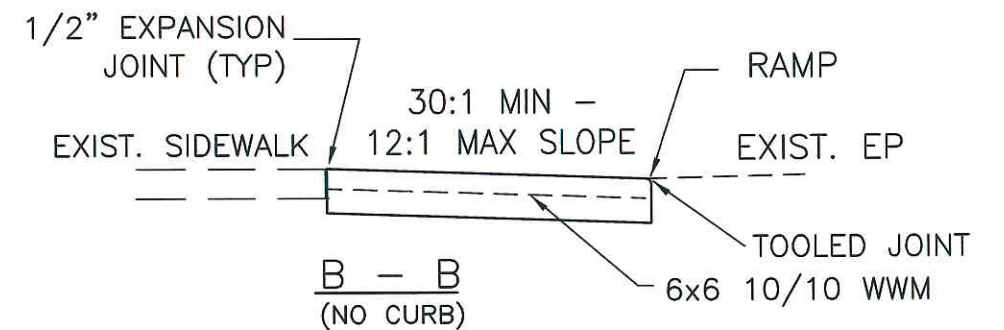
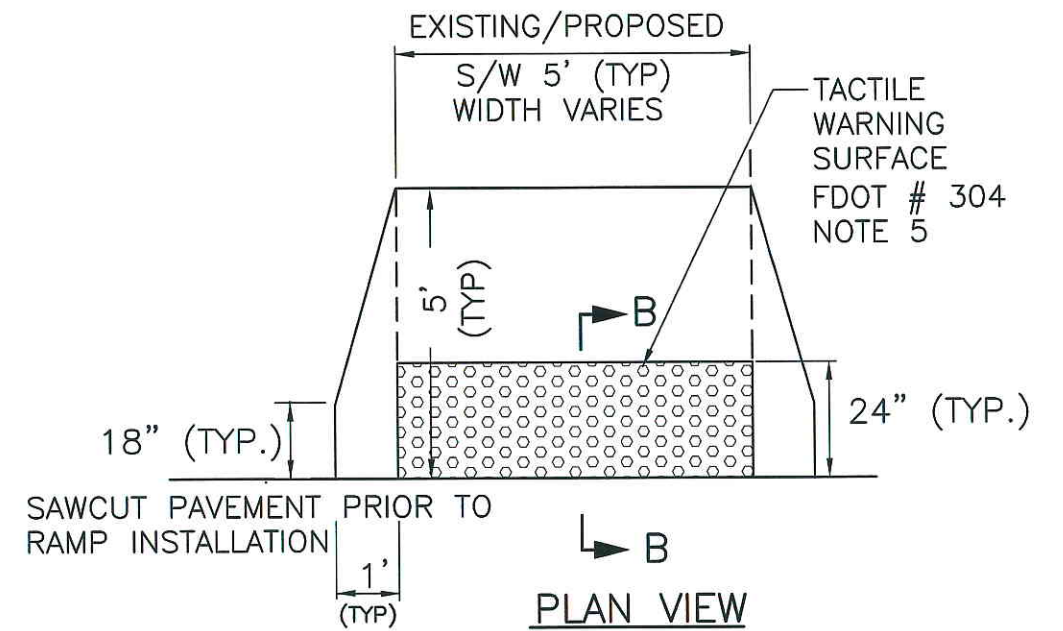


**NOTE:**

6" THICK W/6x6 10/10 WWM  
REINFORCED CLASS I (3000 PSI)  
CONCRETE RAMP.  
(TYP. FOR TYPE A & B)



DEPARTMENT OF PUBLIC WORKS PINELLAS COUNTY, FLORIDA			
P.C.E.D. TYPE "A" AND "B" HANDICAP RAMP DETAIL			
APPROVED BY: 	DATE 7/09	SHEET 1 of 1	INDEX 1360
DIRECTOR OF PUBLIC WORKS			